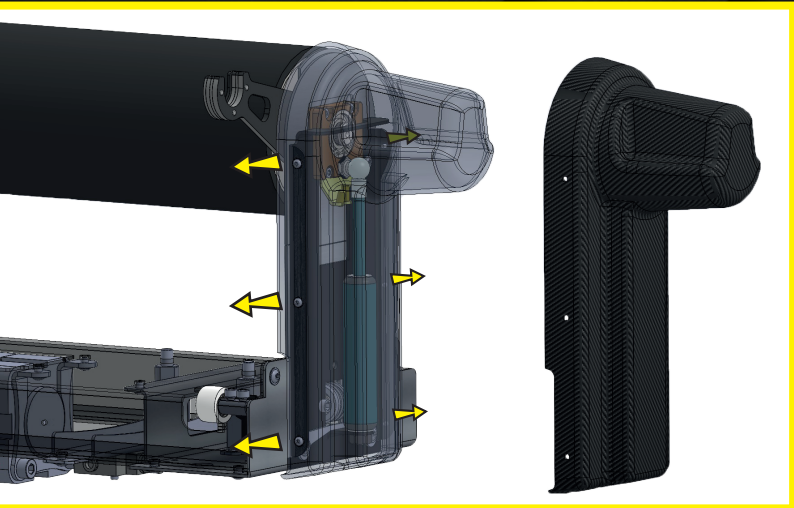




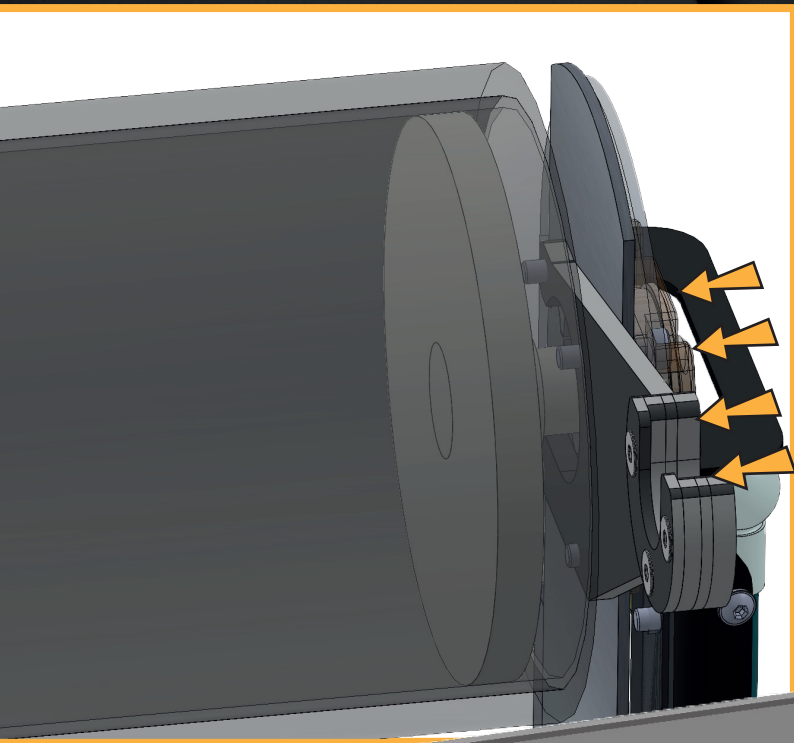
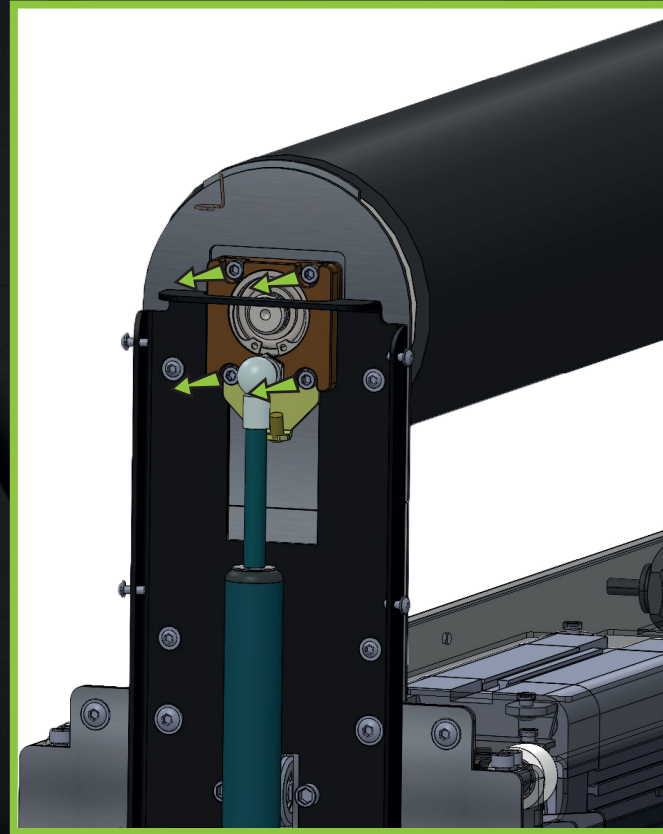
set contains:  
stainless roll holders L + R, 4 sheet metal parts, tube



remove 6 screws and plastic covers  
on both sides of roller

remove 4 screws

change sheet metal part for new one and mount holder  
- be carefully about holder direction



max 10 kg

